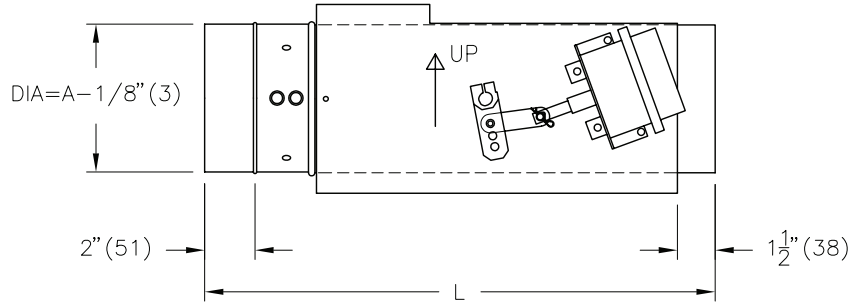


SIZE 4 AND 5 HAVE 6"Ø DUCT WITH INLET AND DISCHARGE REDUCER AS SHOWN.



UNIT SIZE	MAX L/S	MAX CFM	S.I. UNITS mm		IMPERIAL UNITS in.	
			A	L	A	L
4	106	225	102	619	4	24 3/8
5	165	350	127			
6	212	450	152	518	6	20 3/8
7	307	650	178			
8	378	800	203			
9	496	1050	229	530	9	20 7/8
10	637	1350	254			
12	991	2100	305	587	12	23 1/8
14	1416	3000	356	613	14	24 1/8
16	1888	4000	406	664	16	26 1/8

NOTES:

- 22 GA. ZINC COATED STEEL HOUSING. MECHANICALLY SEALED AND GASKETED, LEAK RESISTANT CONSTRUCTION.
- ACTUATOR WILL BE SUPPLIED AS ILLUSTRATED ON RIGHT HAND SIDE UNLESS SPECIFIED OTHERWISE.
- PNEUMATIC ACTUATOR SUPPLIED & MOUNTED BY PRICE.
- GAUGE TAPS ARE STANDARD.
- CLEAN, DRY, 20 PSI (138 KPa) CONTROL AIR REQUIRED.

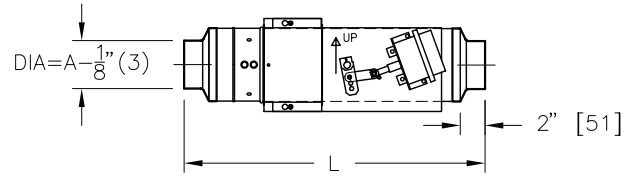
- SPECIFY THE ACTUATOR SPRING RANGE TO ACCOMMODATE THE THERMOSTAT CONTROL RANGE AND TO SEQUENCE WITH ANY CONTROL COMPONENTS AS SUPPLIED BY OTHERS.
- MINIMUM AIR VOLUME IS ZERO (SHUT-OFF).

OPTIONS:

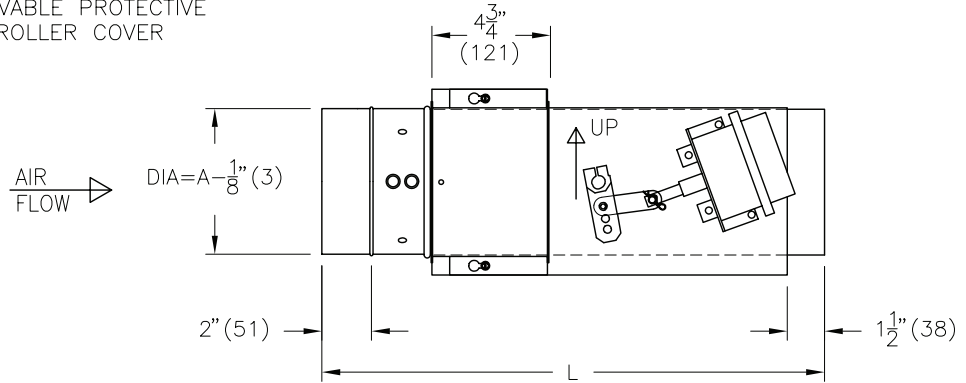
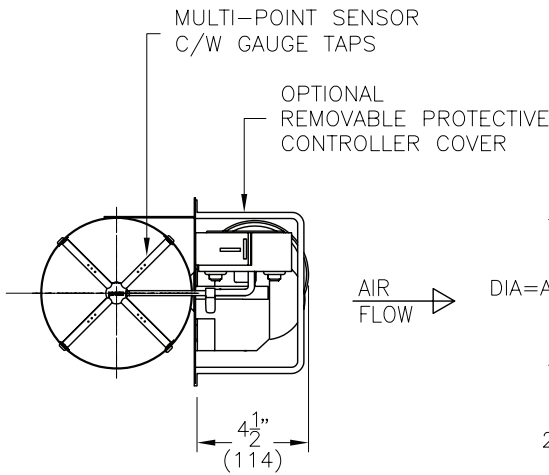
- OTHER PNEUMATIC ACTUATORS SUPPLIED & MOUNTED BY PRICE.
- PNEUMATIC ACTUATOR SUPPLIED BY CONTROL CONTRACTOR & MOUNTED BY PRICE.
- RS - BOTTOM REMOVABLE SENSOR

ALL METRIC DIMENSIONS () ARE SOFT CONVERTED. IMPERIAL DIMENSIONS ARE CONVERTED TO METRIC AND ROUNDED TO THE NEAREST MILLIMETER.

PROJECT:		PRICE [®]	
ENGINEER:			
CUSTOMER:		219731	RPV6000 SINGLE DUCT TERMINAL AIR VOLUME CONTROL VALVE PRESSURE DEPENDENT
SUBMITTAL DATE:	SPEC. SYMBOL:	OCT 07	



SIZE 4 AND 5 HAVE 6"Ø DUCT WITH INLET AND DISCHARGE REDUCER AS SHOWN.



UNIT SIZE	MAX L/S	MAX CFM	S.I. UNITS mm		IMPERIAL UNITS in.	
			A	L	A	L
4	106	225	102	619	4	24 3/8
5	165	350	127		5	
6	212	450	152	518	6	20 3/8
7	307	650	178		7	
8	378	800	203		8	
9	496	1050	229		9	
10	637	1350	254	530	10	20 7/8
12	991	2100	305	587	12	23 1/8
14	1416	3000	356	613	14	24 1/8
16	1888	4000	406	664	16	26 1/8

NOTES:

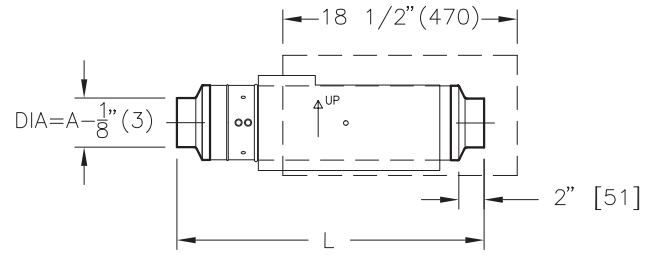
- 22 GA. ZINC COATED STEEL HOUSING. MECHANICALLY SEALED AND GASKETED, LEAK RESISTANT CONSTRUCTION.
- ACTUATOR WILL BE SUPPLIED AS ILLUSTRATED ON RIGHT HAND SIDE UNLESS SPECIFIED OTHERWISE.
- PNEUMATIC ACTUATOR SUPPLIED & MOUNTED BY PRICE.
- GAUGE TAPS ARE STANDARD.
- CLEAN, DRY, 20 PSI (138 KPa) CONTROL AIR REQUIRED.

OPTIONS:

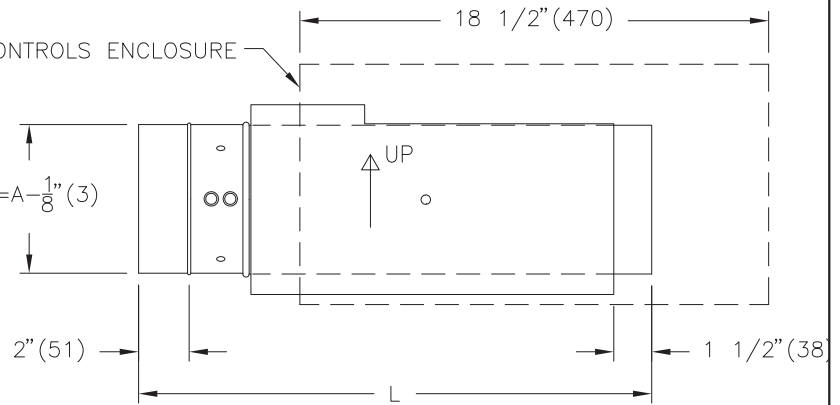
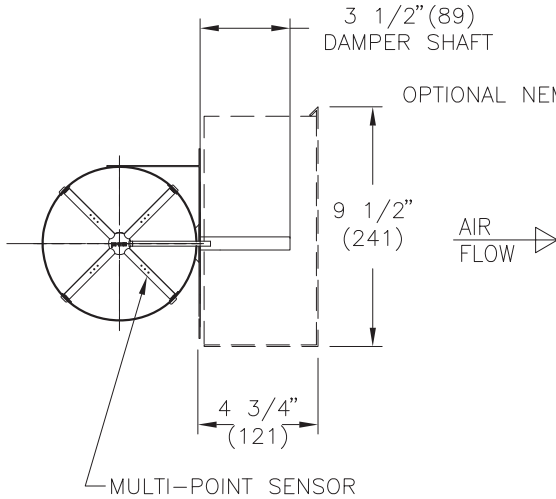
- OTHER PNEUMATIC ACTUATORS SUPPLIED & MOUNTED BY PRICE.
- PNEUMATIC ACTUATOR SUPPLIED BY CONTROL CONTRACTOR & MOUNTED BY PRICE.
- PROTECTIVE CONTROLLER COVER
- RS - BOTTOM REMOVABLE SENSOR

ALL METRIC DIMENSIONS () ARE SOFT CONVERTED. IMPERIAL DIMENSIONS ARE CONVERTED TO METRIC AND ROUNDED TO THE NEAREST MILLIMETER.

PROJECT:		PRICE®	
ENGINEER:			
CUSTOMER:		219732	
SUBMITTAL DATE:	SPEC. SYMBOL:	OCT 07	



SIZE 4 AND 5 HAVE 6"Ø DUCT WITH INLET AND DISCHARGE REDUCER AS SHOWN.



UNIT SIZE	MAX L/S	MAX CFM	S.I. UNITS mm		IMPERIAL UNITS in.	
			A	L	A	L
4	106	225	102	619	4	24 ³ / ₈
5	165	350	127			
6	212	450	152	518	6	20 ³ / ₈
7	307	650	178			
8	378	800	203			
9	496	1050	229	530	9	20 ⁷ / ₈
10	637	1350	254			
12	991	2100	305	587	12	23 ¹ / ₈
14	1416	3000	356	613	14	24 ¹ / ₈
16	1888	4000	406	664	16	26 ¹ / ₈

NOTES:

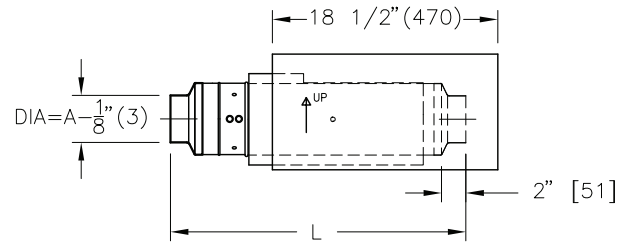
- 22 GA. ZINC COATED STEEL HOUSING. MECHANICALLY SEALED AND GASKETED, LEAK RESISTANT CONSTRUCTION.
- PRESSURE INDEPENDENT.
- DIGITAL CONTROLS BY CONTROL CONTRACTOR.

OPTIONS:

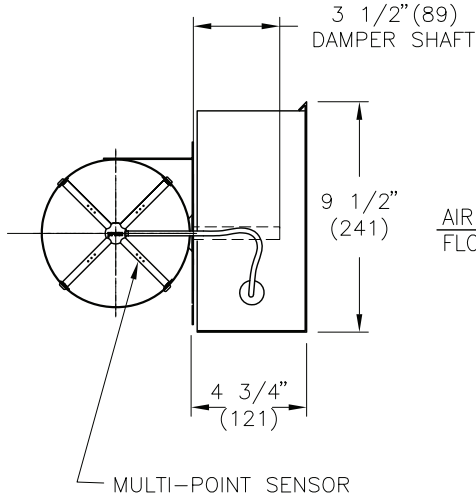
- CONTROLS ENCLOSURE
- DISCONNECT SWITCH
- RS – BOTTOM REMOVABLE SENSOR
- GT – BRASS AIRFLOW SENSOR GAUGE TAPS

ALL METRIC DIMENSIONS () ARE SOFT CONVERTED. IMPERIAL DIMENSIONS ARE CONVERTED TO METRIC AND ROUNDED TO THE NEAREST MILLIMETER.

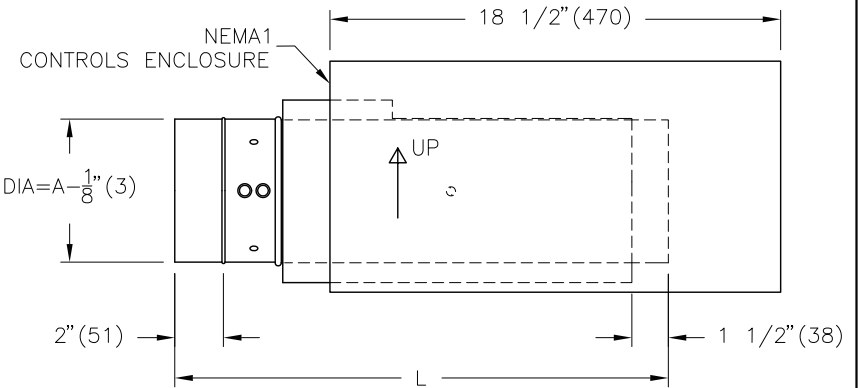
PROJECT:		PRICE®	
ENGINEER:		BG	RDV5000 SINGLE DUCT TERMINAL AIR VOLUME DIGITAL CONTROLS
CUSTOMER:		229734	
SUBMITTAL DATE:	SPEC. SYMBOL:	2013/02/20	



SIZE 4 AND 5 HAVE 6"Ø DUCT WITH INLET AND DISCHARGE REDUCER AS SHOWN.



AIR FLOW →



UNIT SIZE	MAX L/S	MAX CFM	S.I. UNITS mm		IMPERIAL UNITS in.	
			A	L	A	L
4	106	225	102	619	4	24 ³ / ₈
5	165	350	127			
6	212	450	152	518	6	20 ³ / ₈
7	307	650	178			
8	378	800	203			
9	496	1050	229	530	9	20 ⁷ / ₈
10	637	1350	254			
12	991	2100	305	587	12	23 ¹ / ₈
14	1416	3000	356	613	14	24 ¹ / ₈
16	1888	4000	406	664	16	26 ¹ / ₈

NOTES:

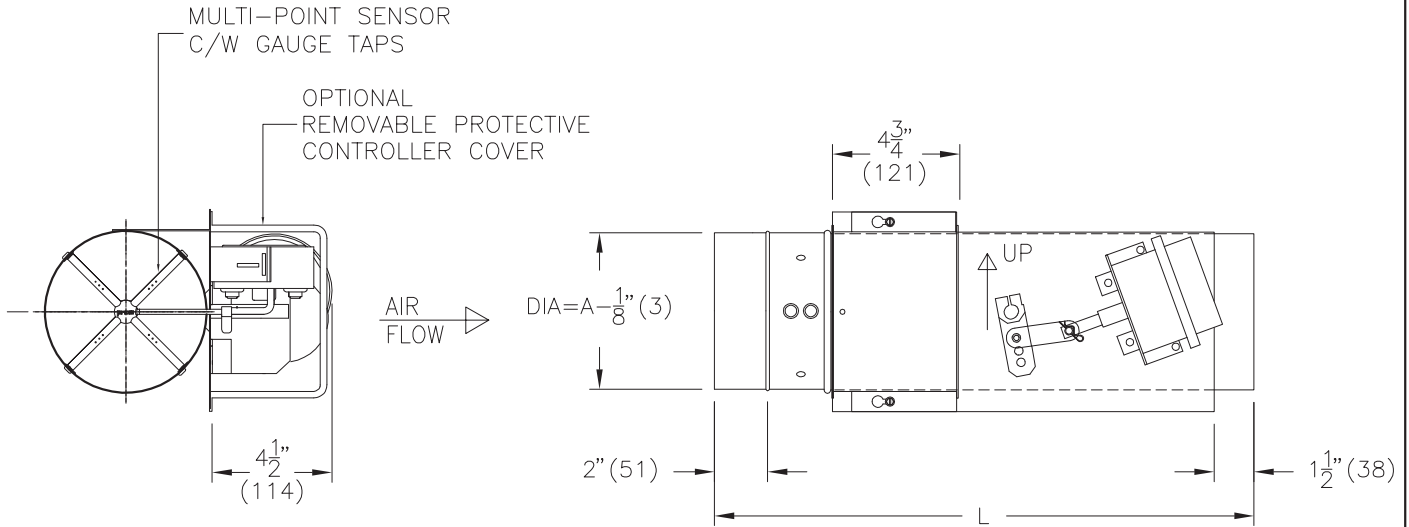
- 22 GA. ZINC COATED STEEL HOUSING. MECHANICALLY SEALED AND GASKETED, LEAK RESISTANT CONSTRUCTION.
- PRESSURE INDEPENDENT.
- PRICE CONTROLS FACTORY MOUNTED.
- PRICE THERMOSTAT FIELD MOUNTED.

OPTIONS:

- DISCONNECT SWITCH
- RS - BOTTOM REMOVABLE SENSOR

ALL METRIC DIMENSIONS () ARE SOFT CONVERTED. IMPERIAL DIMENSIONS ARE CONVERTED TO METRIC AND ROUNDED TO THE NEAREST MILLIMETER.

PROJECT:		PRICE [®]	
ENGINEER:		BG	RDV8000
CUSTOMER:		240366	SINGLE DUCT TERMINAL AIR VOLUME PRICE CONTROLS
SUBMITTAL DATE:	SPEC. SYMBOL:	2011/04/19	



UNIT SIZE	L/S RANGE	CFM RANGE	S.I. UNITS (mm)		IMPERIAL UNITS (in.)	
			A	L	A	L
6	0 - 212	0 - 450	152	518	6	20 3/8
7	0 - 307	0 - 650	178			
8	0 - 378	0 - 800	203			
9	0 - 496	0 - 1050	229			
10	0 - 637	0 - 1350	254	530	10	20 7/8
12	0 - 991	0 - 2100	305	587	12	23 1/8
14	0 - 1416	0 - 3000	356	613	14	24 1/8
16	0 - 1888	0 - 4000	406	664	16	26 1/8

NOTES:

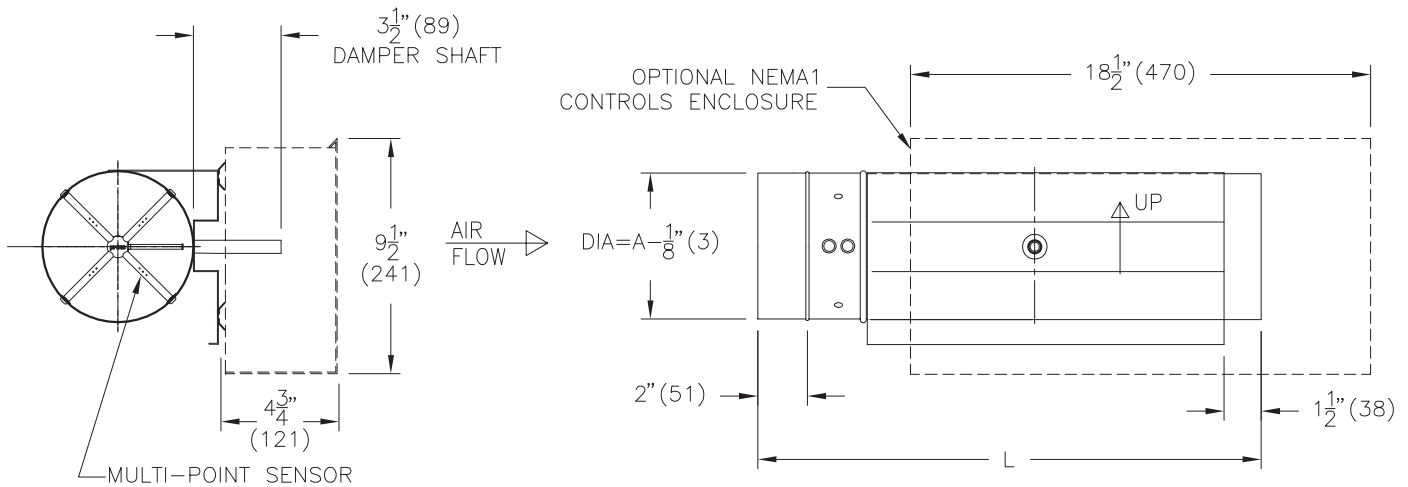
- DUCT CONSTRUCTION FROM 24 GA. TYPE 304 S.S.
- DAMPER FABRICATED FROM 22 GA. TYPE 316 S.S.
- DAMPER SHAFTS, ALL FASTENERS EXPOSED TO THE AIR FLOW ARE TYPE 304 S.S. OR BETTER.
- MULTI-POINT AIRFLOW SENSOR SUPPLIED BY PRICE.
- DAMPER SHAFT BEARINGS & DAMPER GASKET ARE POLYETHYLENE.
- CONTROLLER COVER & ALL OTHER EXTERNAL METAL COMPONENTS ARE ZINC COATED STEEL OR EQUAL.
- ACTUATOR WILL BE SUPPLIED AS ILLUSTRATED ON RIGHT HAND SIDE UNLESS SPECIFIED OTHERWISE.
- PNEUMATIC ACTUATOR SUPPLIED & MOUNTED BY PRICE.
- GAUGE TAPS ARE STANDARD.
- CLEAN, DRY, 20 PSI (138 KPa) CONTROL AIR REQUIRED.

OPTIONS:

- OTHER PNEUMATIC ACTUATORS SUPPLIED & MOUNTED BY PRICE.
- PNEUMATIC ACTUATOR SUPPLIED BY CONTROL CONTRACTOR & MOUNTED BY PRICE.
- PROTECTIVE CONTROLLER COVER
- RS - BOTTOM REMOVABLE SENSOR

ALL METRIC DIMENSIONS () ARE SOFT CONVERTED. IMPERIAL DIMENSIONS ARE CONVERTED TO METRIC AND ROUNDED TO THE NEAREST MILLIMETER.

PROJECT:		PRICE®	
ENGINEER:		BG	RPV8000/SS AIR VOLUME CONTROL VALVE STAINLESS STEEL CONSTRUCTION
CUSTOMER:		219739	
SUBMITTAL DATE:	SPEC. SYMBOL:	2013/06/03	



UNIT SIZE	L/S RANGE	CFM RANGE	S.I. UNITS (mm)		IMPERIAL UNITS (in.)	
			A	L	A	L
6	0 - 212	0 - 450	152	518	6	20 ³ / ₈
7	0 - 307	0 - 650	178			
8	0 - 378	0 - 800	203			
9	0 - 496	0 - 1050	229			
10	0 - 637	0 - 1350	254	530	10	20 ⁷ / ₈
12	0 - 991	0 - 2100	305	587	12	23 ¹ / ₈
14	0 - 1416	0 - 3000	356	613	14	24 ¹ / ₈
16	0 - 1888	0 - 4000	406	664	16	26 ¹ / ₈

NOTES:

- DUCT CONSTRUCTION FROM 24 GA. TYPE 304 S.S.
- DAMPER FABRICATED FROM 22 GA. TYPE 316 S.S.
- DAMPER SHAFTS, ALL FASTENERS EXPOSED TO THE AIR FLOW ARE TYPE 304 S.S. OR BETTER.
- MULTI-POINT AIRFLOW SENSOR SUPPLIED BY PRICE.
- DAMPER SHAFT BEARINGS & DAMPER GASKET ARE POLYETHYLENE.
- CONTROLLER COVER & ALL OTHER EXTERNAL METAL COMPONENTS ARE ZINC COATED STEEL OR EQUAL.

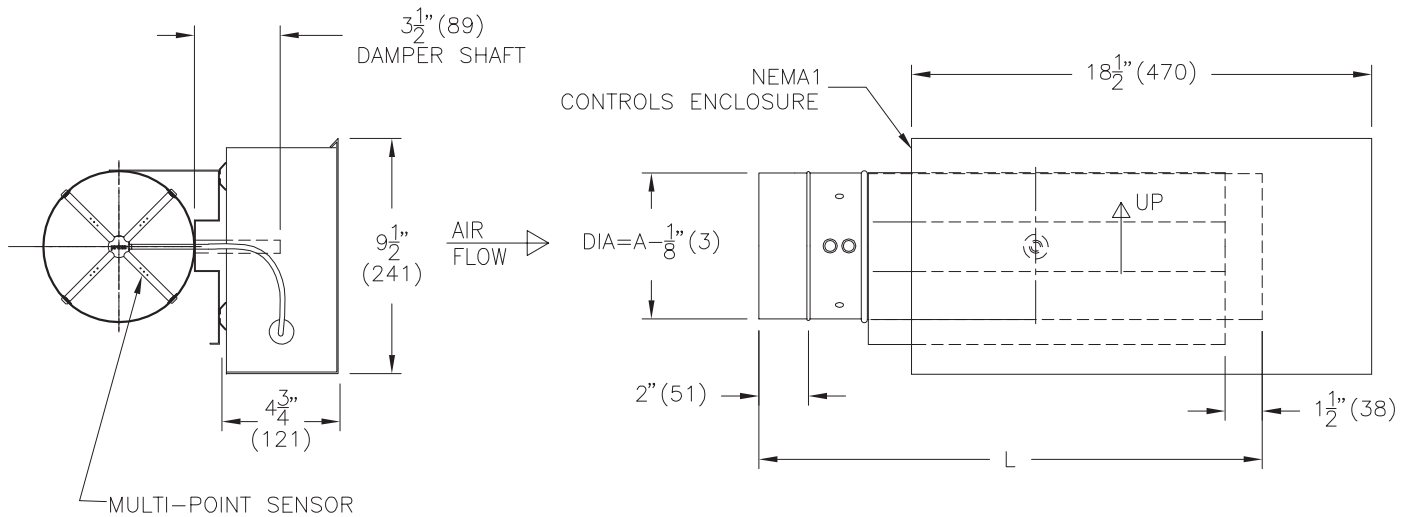
- DIGITAL CONTROLS BY CONTROL CONTRACTOR

OPTIONS:

- GALVANIZED CONTROLS ENCLOSURE – NEMA1.
- DISCONNECT SWITCH.
- RS – BOTTOM REMOVABLE SENSOR.
- GT – BRASS AIRFLOW SENSOR GAUGE TAPS

ALL METRIC DIMENSIONS () ARE SOFT CONVERTED. IMPERIAL DIMENSIONS ARE CONVERTED TO METRIC AND ROUNDED TO THE NEAREST MILLIMETER.

PROJECT:		PRICE [®]	
ENGINEER:		BG	RDV5000/SS AIR VOLUME CONTROL VALVE STAINLESS STEEL DIGITAL CONTROLS
CUSTOMER:		231676	
SUBMITTAL DATE:	SPEC. SYMBOL:	2013/06/03	



UNIT SIZE	L/S RANGE	CFM RANGE	S.I. UNITS (mm)		IMPERIAL UNITS (in.)	
			A	L	A	L
6	0 - 212	0 - 450	152	518	6	20 ³ / ₈
7	0 - 307	0 - 650	178			
8	0 - 378	0 - 800	203			
9	0 - 496	0 - 1050	229			
10	0 - 637	0 - 1350	254	530	10	20 ⁷ / ₈
12	0 - 991	0 - 2100	305	587	12	23 ¹ / ₈
14	0 - 1416	0 - 3000	356	613	14	24 ¹ / ₈
16	0 - 1888	0 - 4000	406	664	16	26 ¹ / ₈

NOTES:

- DUCT CONSTRUCTION FROM 24 GA. TYPE 304 S.S.
- DAMPER FABRICATED FROM 22 GA. TYPE 316 S.S.
- DAMPER SHAFTS, ALL FASTENERS EXPOSED TO THE AIR FLOW ARE TYPE 304 S.S. OR BETTER.
- MULTI-POINT AIRFLOW SENSOR SUPPLIED BY PRICE.
- DAMPER SHAFT BEARINGS & DAMPER GASKET ARE POLYETHYLENE.
- CONTROLLER COVER & ALL OTHER EXTERNAL METAL COMPONENTS ARE ZINC COATED STEEL OR EQUAL.

- PRICE CONTROLS FACTORY MOUNTED.
- PRICE THERMOSTAT FIELD MOUNTED.

OPTIONS:

- DISCONNECT SWITCH.
- RS - BOTTOM REMOVABLE SENSOR

ALL METRIC DIMENSIONS () ARE SOFT CONVERTED. IMPERIAL DIMENSIONS ARE CONVERTED TO METRIC AND ROUNDED TO THE NEAREST MILLIMETER.

PROJECT:		PRICE [®]	
ENGINEER:		<i>BE</i>	RDV8000/SS AIR VOLUME CONTROL VALVE STAINLESS STEEL PRICE CONTROLS
CUSTOMER:		240368	
SUBMITTAL DATE:	SPEC. SYMBOL:	2013/06/03	